

USER MANUAL



Thank you for choosing Better Bathrooms.
Please read this manual before installing your product
and keep for future reference.

better 
bathrooms

Product name : Stand Pipes

Product code/s : BeBa 27771/27778/27785



- **Single-person assembly**
- **Tools required**
- **We always recommend using professional tradespeople to install your product**

V1_20/8/21

Congratulations on your purchase

And welcome to our growing gang of savvy shoppers

We're on a mission to bring you extraordinary bathroom products, for less. From modern to traditional style ceramics, plus the gorgeous fixtures, fittings and furniture to match. So, you can fall in love with your space every single day.

As one of the UK's largest independent bathroom stores, we've received countless awards; including the National Business Awards UK, the Digital Entrepreneur Awards and being placed on The Sunday Times Fast Track 100.

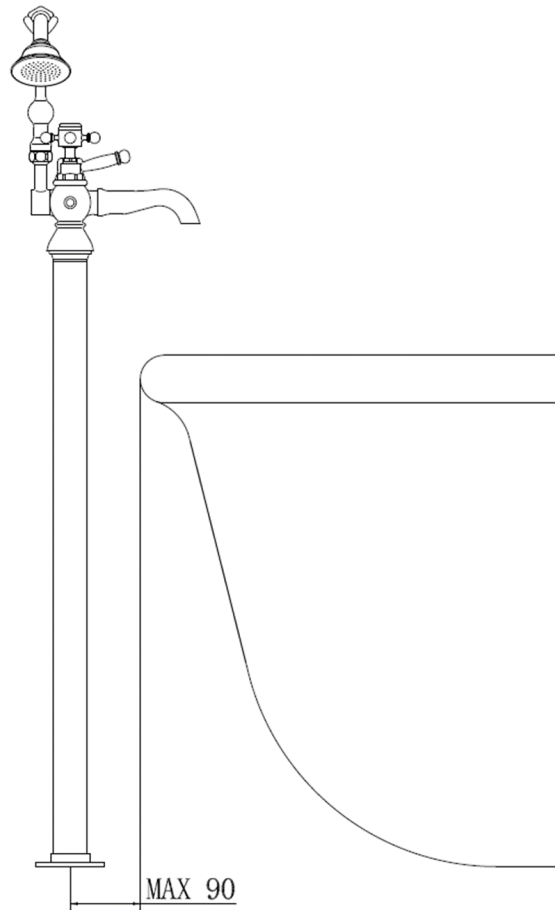
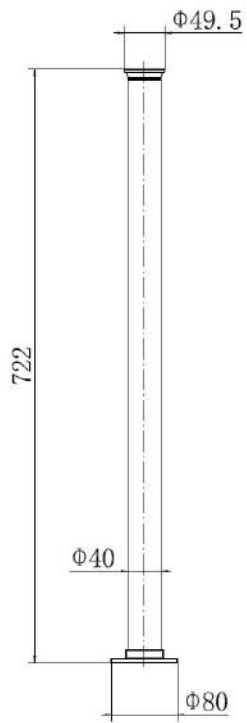
We hope your new product goes above and beyond your expectations. However, should any problems occur, please:

- log in to your account and contact our customer services team via your self-serve portal – betterbathrooms.com/Account/Login
- contact us via betterbathrooms.com/content/contact-us

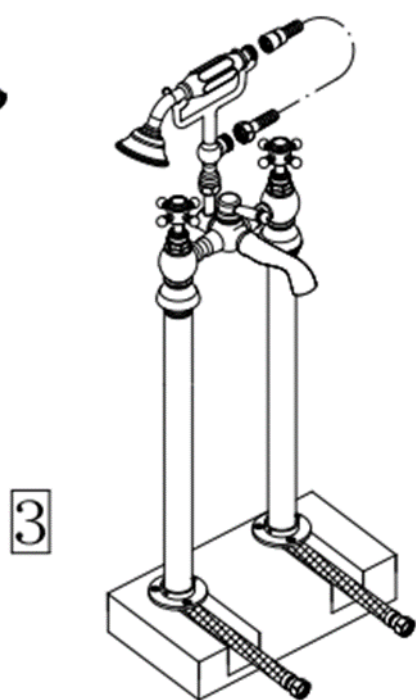
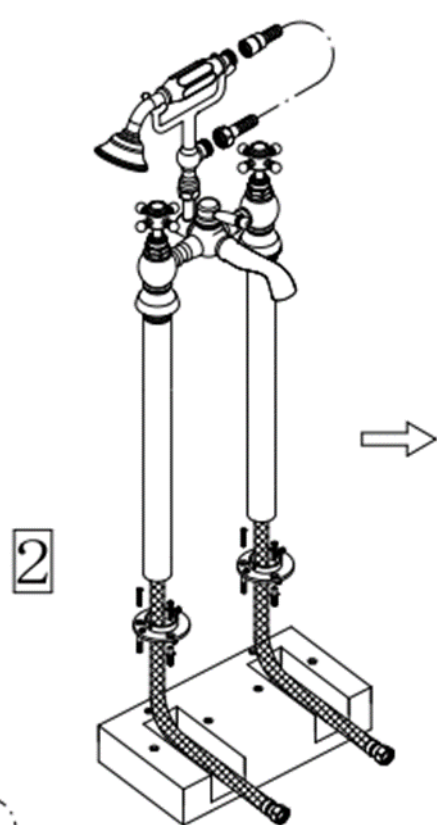
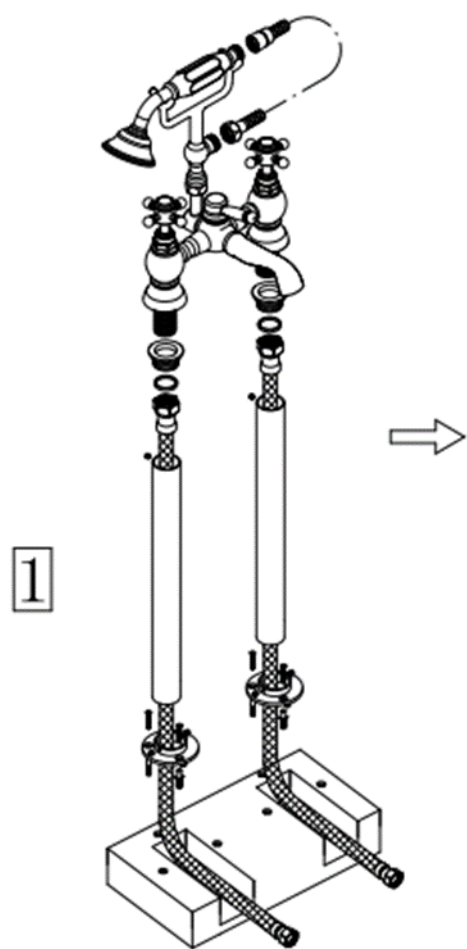
Important information

- Please read these instructions thoroughly and retain for future reference
- Pressures should meet minimum stated on the website
- Pressures must be balanced for optimum performance
- Always check for pipes and cables before drilling
- Product should be installed to comply with local water bylaws and regulations

Dimensions



Installation



Tools required

SPANNER. SCREWDRIVER, HAMMER

Installation

Please note: Before starting the installation of a new mixer, turn off the water supply

Please note: HOT supply to the left and COLD supply to the right

Prepare the location for the standpipes to be installed, by placing the bases onto the floor and mark drill holes in required position ensuring they will align with the mixer inlets and prepare the water supply pipes.

Depending on the floor type, insert the screw plugs and tap flush.

Place the base into position and secure using the screws and plugs (If required) supplied

The flexi pipes should be fed through the base and the stand pipe.

Screw the connector to the bath mixer tail.

Fit the washer into the flexi pipe end.

Connect the flexi pipe end to the mixer tail and tighten.

Place the mixer tail into the stand pipe, until the connector sits on top of the stand pipe, then secure using the screw provided.

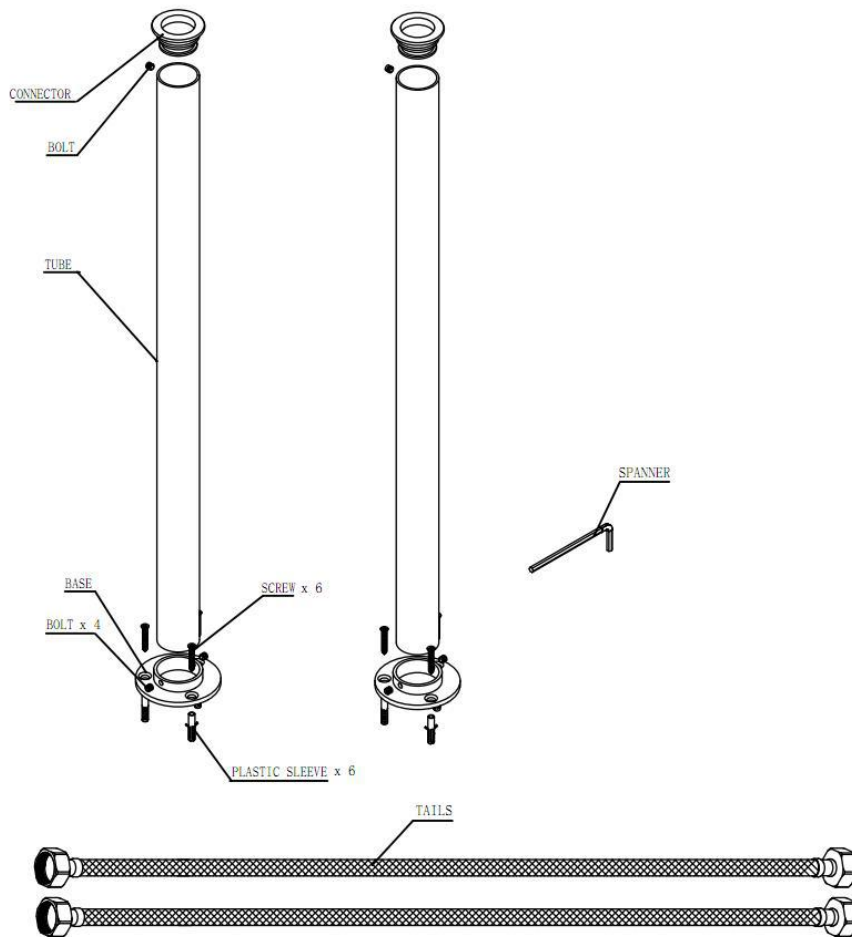
Position the standpipe onto the base and secure into position using the screws provided.

Connect the flexi pipe to the water supply pipe using a suitable sealing method.

Turn on water supply and check for leaks.

Finish floor as required.

Parts / Diagrams



F3/4*F3/4*1000mm

Cleaning

To maintain the surface finish of your product, wipe clean regularly, using a clean damp cloth and dry cloth to polish. Do not use abrasive cleaning agents or materials on the product surface as you may invalidate your guarantee. Should any harsh chemicals come into contact with the surface of the product during bathroom cleaning, rinse off immediately, wipe clean and dry.

“IMPORTANT—Check the tails are fully tightened into the mixer before connecting and turning on the water supply”

For more information

- visit betterbathrooms.com
- email customerservices@buyitdirect.co.uk
- call 0330 390 3062
- write to Trident Business Park, Neptune Way, Huddersfield, HD2 1UA

**better
bathrooms**

Part of the BuyItDirect Group